

PX4



PX4 POWER TRIODE

DESCRIPTION

Type PX4 is a directly heated power triode for the output stage of receivers and amplifiers where a considerable undistorted power output is required with an anode voltage up to 300.

The filament is of the robust oxide coated type and may be heated from A.C. through a suitable step-down transformer.

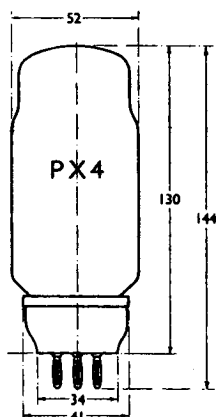
RATINGS

Filament Voltage	4.0	volts	
Filament Current	1.0	approx. amp	
Anode Voltage	300	max. volts	
Anode Current	50	max. mA	
Anode Dissipation	15	max. watts	
Mutual Conductance	} ... measured at $V_a = 100, V_g = 0$	}	}	}	}	}	}	6	mA/V
Amplification Factor								5	
Impedance								830	ohms

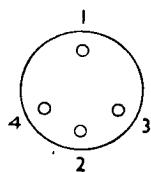
Capacitances :

Anode to Control Grid	13.7	approx. pF
Control Grid to Filament	7.7	" "
Anode to Filament	3.9	" "

DIMENSIONS



BASE



View looking on underside of base.

4-PIN

- 1: Anode
- 2: Control Grid
- 3: Filament
- 4: Filament

All dimensions are in mm. and are the maximum except where otherwise stated.

TYPE PX4

OPERATING CONDITIONS

Single Valve Class A.

Anode Voltage	300	250	200	volts
Anode Current	50	60	30	mA
Bias Resistor	1000	600	1000	ohms
Anode Load Resistance	3500	2500	3500	ohms
Power Output	4.5	3.2	1.6	watts
Distortion	4	4	5	%
Signal Input	49	36	30	peak volts

Two Valves in Push-Pull.

Anode Voltage	300	250		volts
Anode Current (per pair)	100	116		mA
Bias Resistor (per valve)	1000	650		ohms
Bias Voltage	-50	-38		approx. volts
Anode Load Resistor	4000	3000		ohms
Power Output	13.5	9		watts
Distortion	2.5	2		%
Input Signal	110	80		peak volts

A typical circuit is given showing the provision of independent automatic bias which necessitates separate filament windings for the PX4 valves.

The output transformer in all cases should have low leakage inductance, and be of ratio as below :—

$$\frac{\text{Total Primary Turns}}{\text{Total Secondary Turns}} = \sqrt{\frac{\text{Anode Load}}{\text{Speaker Impedance}}}$$

The circuit information given does not imply any licence under any patents which may be involved.

Precautions in Use.

The wiring and arrangement of the circuit should be such as to keep the capacitance between input and output circuits at as low a value as possible.

A grid stopper resistor to prevent parasitic oscillation is required, this should be wired close to the valve holder.

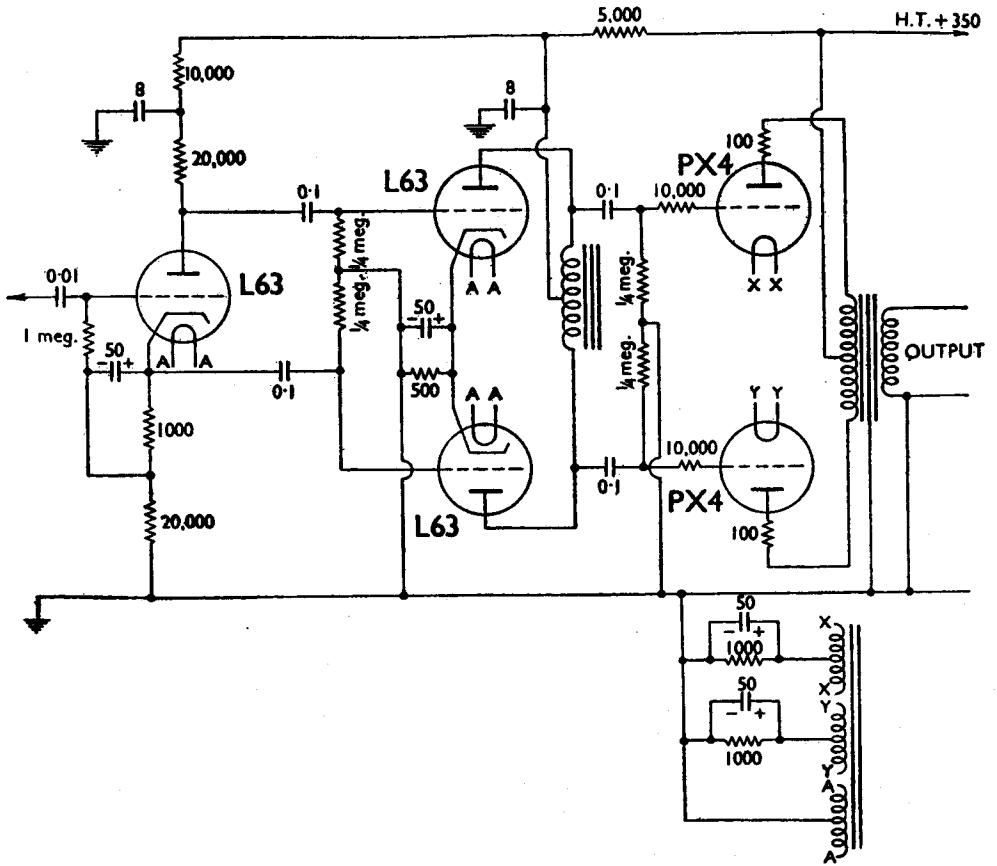
The total resistance in the grid circuit should in no case exceed 250,000 ohms.

Automatic bias should always be employed and it is recommended that separate bias should be used for each valve in the case of a push-pull circuit. In cases where the valves are operated well below the maximum voltage or wattage limit, however, a common bias resistor may be used.

Care should be taken to switch off the power supply when inserting or removing the valve from its socket, or when any adjustments are made, such as alteration to the grid bias.

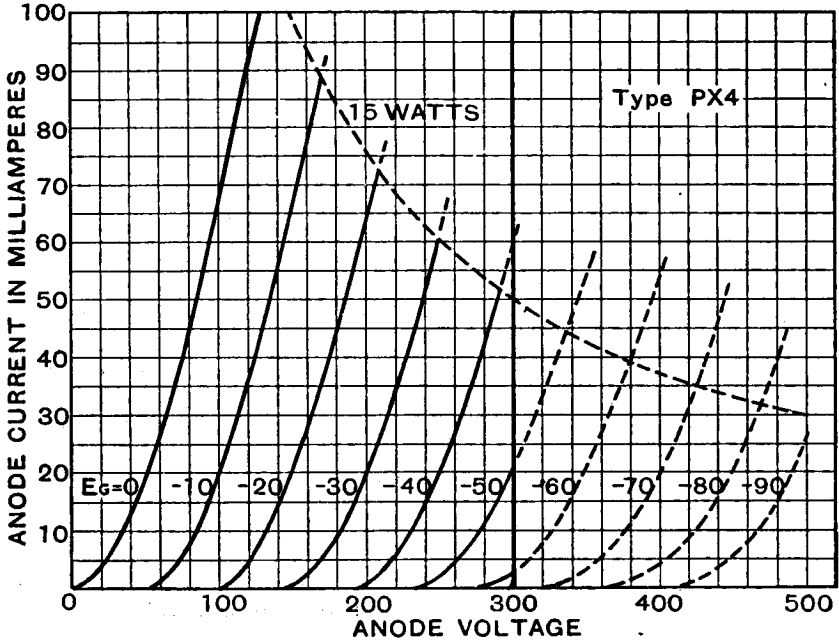
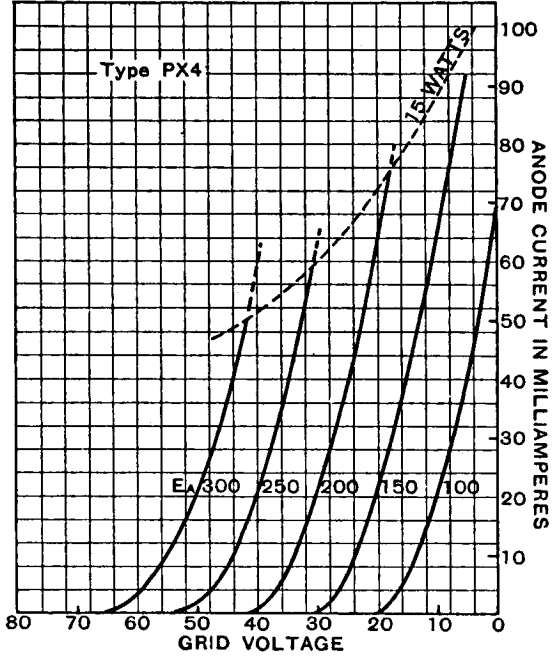
Adequate ventilation must be provided.

TYPE PX4



TWO VALVES IN CLASS AB1 PUSH-PULL AMPLIFIER CIRCUIT.

TYPE PX4



CHARACTERISTIC CURVES OF AVERAGE VALVE.